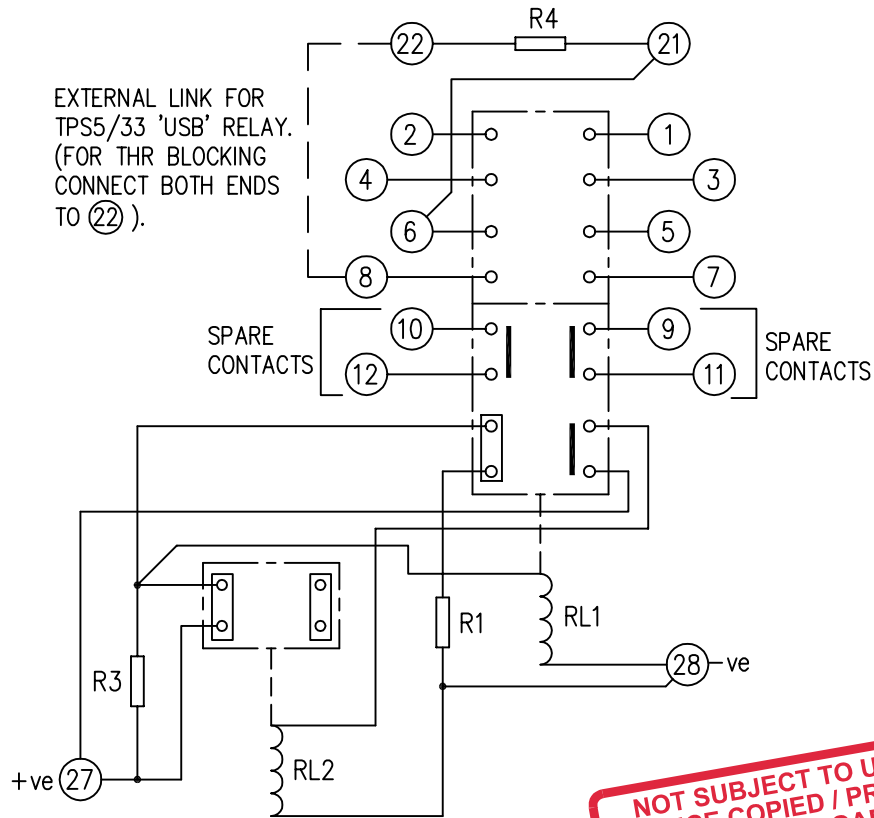


LOOKING ON FRONT OF RELAY

2112W50018



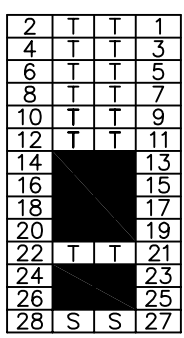
NOT SUBJECT TO UPDATE  
ONCE COPIED / PRINTED  
OR DOWNLOADED

- KEY**
- make contact
  - break contact
  - c/o contact
  - ext. conn
  - plug bridge - shorting
  - metering point
  - 5Kv barrier
  - test socket - shorting
  - plug & socket

125	2x100R IN SER. 2102C41101	NOT FITTED	2x3K9 IN PARALLEL 2102C45392	100K 2101C42104								
50	390R 2102C35391	NOT FITTED	2x820R IN PARALLEL 2102C45821	100K 2101C42104								
Vdc	R1	R2	R3	R4								
<b>CONTACT CONFIG.</b>	<b>OUTPUT CONTACT PAIR / TERMINAL No.</b>						NOTE: 1. FOR CONTACTS NOT SHOWN AS EITHER MAKE OR BREAK SEE TABLE.					
	1-3	2-4	5-7	6-8	9-11	10-12		13-15	14-16	17-19	18-20	21-23
6M	M	M	M	M	M	M						
5M 1B	M	B	M	M	M	M						
4M 2B	B	B	M	M	M	M						
3M 3B	B	B	M	B	M	M						
2M 4B	B	B	B	B	M	M						

FRAME REFERENCE: E4FE02.  
FRAME TERMINAL BLOCK ASSY: -

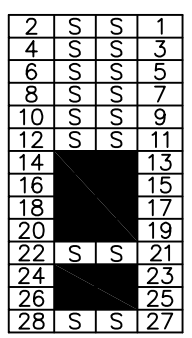
ASSEMBLY INSTRUCTIONS: -  
TYPICAL ASSEMBLY DRAWING 2995G10032.  
AT INDICATED POSITIONS FIT AS FOLLOWS:  
T - FIT TRIP ISOLATION CONTACT 2995B10053  
S - FIT STANDARD CONTACT 2995B10054  
SECURE CONTACTS USING FIXING SCREW 2109F99009.  
POSITIONS SHOWN BLANK ARE UNUSED



VIEW FROM NUMBERED SIDE OF BLOCK

OUTER TERMINAL BLOCK ASSY: -

ASSEMBLY INSTRUCTIONS: -  
TYPICAL ASSEMBLY DRAWING 2995G10029.  
AT INDICATED POSITIONS FIT AS FOLLOWS:  
S - FIT STANDARD CONTACT 2995B10051  
HC - FIT 'HEAVY CURRENT' KIT 2995G10030  
WHERE IS SHOWN FIT CT SHORTING KIT 2995G10031  
POSITIONS SHOWN BLANK ARE UNUSED.  
ALL POSITIONS FIT SCREW 2106F12506.



VIEW FROM INSIDE FACE

			Title. T.B. AND W.D. FOR TR512 RELAY IN EPS. E4 CASE. (CEGB P11 SPECIFICATION).	First used on:	
				Similar Articles:	
				Supersedes:	
2-RDW	22/6/06	MN112/2816	<b>Reyrolle Protection Hebburn.</b>	Original Scale.	Drg.No. <span style="font-size: 2em;">2112W50018</span>
1	01/04/99				
ISSUE	DATE	MOD.No.			
DRAWN: A.LAW.	CHECKED:	APPROVED: R.D.WATSON	DATE: 16/07/02	Copyright © 1999	Reyrolle Ltd